

Technical data sheet

Cap nut cable gland, EMC spring contact, metric thread, nickel-plated

Item number: 2086189



With metric connecting thread to IEC 423, robust EMV cap-nut cable gland with large sealing area. The contact between the gland and braided shield is made using a contact spring. Strain relief, wringing protection and tightness over the whole clamping area. Neoprene sealing ring. Polyamide terminal insert. With pre-mounted O sealing ring on connection thread, VDE-tested to DIN EN 50262, protection rating IP 68 at 5 bar for 1 hr.

* Prices according to DEL notation.



CuZn
37 Brass

N Nickel-plated

Master data

Item number	2086189
Type	V-TEC VM63 EMV-K
Description 1	Cable gland EMV
Description 2	contact spring-shielded cable
Manufacturer	OBO
Dimension	M63
Material	Brass
Surface	Nickel-plated
Surface standard	
Smallest sales unit	5
Unit of quantity	Piece
Weight	16.78 kg
Weight unit	kg/100 pc.

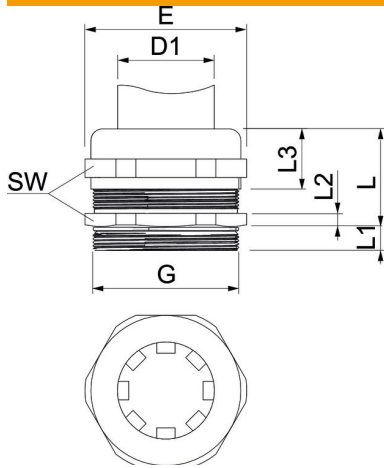
Technical data sheet

Cap nut cable gland, EMC spring contact, metric thread, nickel-plated

Item number: 2086189



Dimensions



Length	65 mm
Width	70 mm
Height	52.5 mm
Dimension D1	38 mm
Dimension E	65 mm
Dimension G	M63x1,5 mm
Dimension L	42.5 mm
Dimension L1	10 mm
Dimension L2	6 mm
Dimension L3	21 mm

Technical data

Type of seal	Sealing ring
Version for	Straight
Bend protection	no
Sealing area D, max.	48 mm
Sealing area D, min.	38 mm
Flat cable gland	no
For Ex zone	Without
Thread	M63 x 1,5
Thread length	10 mm
Fibre-glass reinforced	no
Halogen-free	no
Sealing insert, multiple	no
With locknut	no
Impact-resistant	no
WAF	65
Protection rating	IP68
Permitted temperature range, max.	100 °C
Permitted temperature range, min.	-20 °C
Strain relief option	yes