

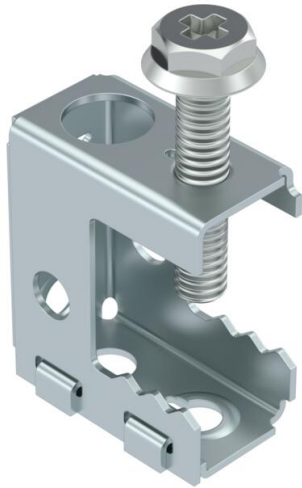
# Technical data sheet

## Screw-in support clamp

Item number: 1488587



Screw-in support clamp for individual mounting solutions. Fastening on steel girders by screwing on.



<b>St</b>	Steel
<b>ZL</b>	Zinc slat

### Master data

Item number	1488587
Type	SK 213
Description 1	Carrier screw clamp
Manufacturer	OBO
Dimension	2-13mm
Material	Steel
Surface	Zinc slat
Surface standard	
Smallest sales unit	100
Unit of quantity	Piece
Weight	2.72 kg
Weight unit	kg/100 pc.

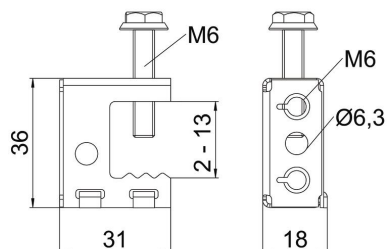
# Technical data sheet

## Screw-in support clamp

Item number: 1488587



### Dimensions



Length	31 mm
Width	18 mm
Height	36 mm

### Technical data

Connection type/component	Miscellaneous
Fastening type	Bolts
Flange thickness F max.	16 mm
Flange thickness F min.	2 mm
Thread	M6
Thread metric	6
Hinge, adjustable	no
Hinged	no