

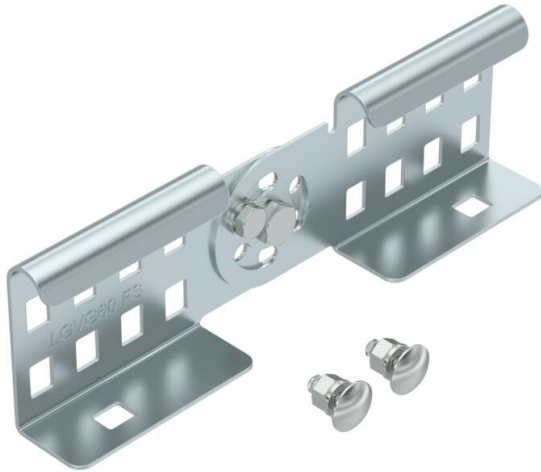
# Technical data sheet

## Articulated connector 60 FT SOMY

Item number: 7189251



Adjustable connector as external connector to join cable ladders and fittings with a side height of 60 mm and continuous rail perforation. Angle can be adjusted vertically.



The adjustable connector ensures the continuity of the equipotential bonding.



- St** Steel
- FT SO** Hot-dip galvanised 85 µm

### Master data

Item number	7189251
Type	LGVG 60 FT SO
Description 1	Articulated connector
Description 2	for cable ladder
Manufacturer	OBO
Dimension	64x210
Material	Steel
Surface	Hot-dip galvanised 85 µm
Surface standard	DIN EN ISO 1461
Smallest sales unit	10
Unit of quantity	Piece
Weight	30.7 kg
Weight unit	kg/100 pc.

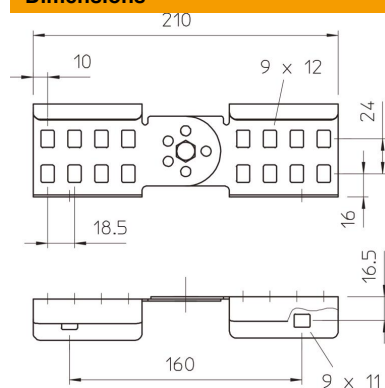
# Technical data sheet

## Articulated connector 60 FT SOMY

Item number: 7189251



### Dimensions



Dimension	64x210
Length	210 mm
Width	28 mm
Height	64 mm
Plate thickness	1.5 mm

### Technical data

Version for	Straight and angle connector
Suitable for mesh cable tray	no
Suitable for cable ladder	yes
Suitable for cable tray	no
Suitable for cable tray system height	60 mm
Adjustable connector, horizontal	no
Articulated connector, vertical	yes
Rustproof steel, pickled	no
Connection type	Screw connector