

Technical data sheet

Cross-connector for TP support profiles, free-standing system

Item number: 5901255



Cross-connector to connect support profiles for free-standing photovoltaic systems. Fastening with pre-installed M8 screw, screw-on with Torx 40 wrench.



St

Steel

FT

Hot-dip galvanised

Master data

Item number	5901255
Description 1	Cross connector
Description 2	for truss profile
Manufacturer	OBO
Dimension	40x40x80
Colour	zinc
Material	Steel
Surface	Hot-dip galvanised
Surface standard	DIN EN ISO 1461
Smallest sales unit	50
Unit of quantity	Piece
Weight	19 kg
Weight unit	kg/100 pc.

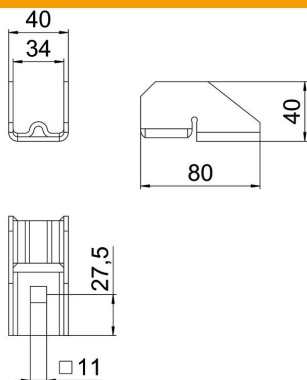
Technical data sheet

Cross-connector for TP support profiles, free-standing system

Item number: 5901255



Dimensions



Width	40 mm
Height	40 mm

Technical data

With fastening material	no
Depth	80 mm
Adjustable	no
Photovoltaic connection and fastening element version	Cross-connectors
With module earthing	no