

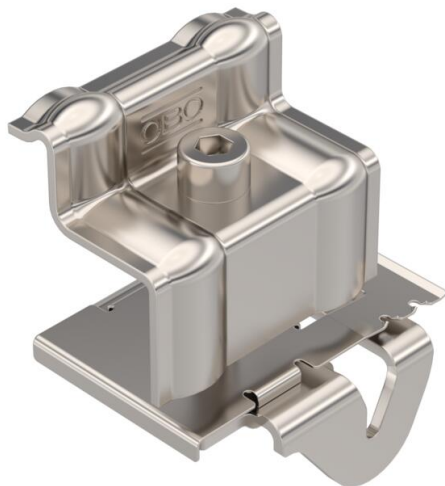
Technical data sheet

End clamp for PV module mounting, free-standing system

Item number: 5901078



End clamp for fastening photovoltaic modules on support profiles of free-standing systems. Lockable pre-fastening of the module frames on the support profile. Suitable for slot width 10 mm. Lockable fastening of the PV module with Torx 30 wrench.



A2 Stainless steel

Master data

Item number	5901078
Description 1	End clamp
Description 2	for free-standing system
Manufacturer	OBO
Dimension	75x70x54
Colour	stainless steel
Material	Stainless steel
Smallest sales unit	50
Unit of quantity	Piece
Weight	18.8 kg
Weight unit	kg/100 pc.

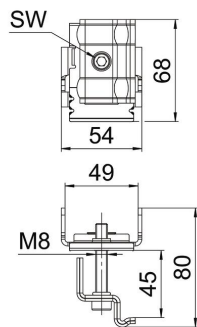
Technical data sheet

End clamp for PV module mounting, free-standing system

Item number: 5901078



Dimensions



Length	68.5 mm
Width	54 mm
Height	80 mm

Technical data

For frame height min.	40 mm
-----------------------	-------