

Technical data sheet

Nipple 89/RK

Item number: 2012049



Closed entry nipple with perforation membrane for cable diameters 12–16 mm.
Ideal for simple cable routing in housings or through thin sheet metal.

Required hole diameter 18.5–19 mm, wall thickness max. 3 mm.
Closed entry nipple with perforation membrane for cable diameters 12–16 mm.
Ideal for simple cable routing in housings or through thin sheet metal.

Required hole diameter 18.5–19 mm, wall thickness max. 3 mm.



PE-LD Polyethylene, low density

Master data

Item number	2012049
Type	89 ROE 12-16
Description 1	Nipple
Manufacturer	OBO
Dimension	Ø12-16mm
Colour	Light grey; RAL 7035
Material	Polyethylene, low density
Smallest sales unit	100
Unit of quantity	Piece
Weight	0.102 kg
Weight unit	kg/100 pc.

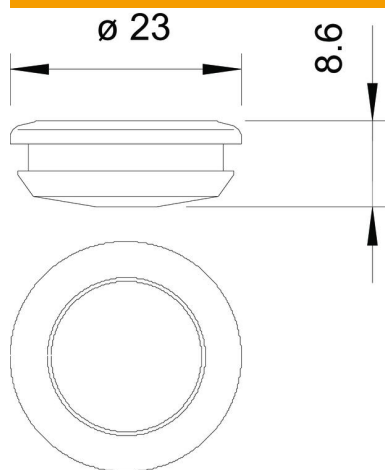
Technical data sheet

Nipple 89/RK

Item number: 2012049



Dimensions



Dimension t | 3 mm

Technical data

Version for	Cuttable
Flame-resistant	acc. to VDE 0471/DIN 695 Part 2-1, test temperature 650°C
for diameter, max.	16 mm
for diameter, min.	12 mm
for wall thickness, max.	3
for wall thickness, min.	0
Size	PG 13,5
Halogen-free	yes
Nominal diameter	19 mm
Nominal size PG	13.5
Protection rating	IP54