

Technical data sheet

Screwless terminals, 5-pole, RUM

Item number: 2475022



Screwless terminal to connect single-strand cables.

Nominal cross-section $2.5 \pm \text{mm}^2$

Rated voltage 450 V

Rated current 24 A

5 x 0.5 mm^2 to 2.5 mm^2 single-wire cable

5 x 1.5 mm^2 to 2.5 mm^2 rigid, multi-wire cable

To connect 8 cables 0.5 to 2.5 mm^2

Stripping length 10 mm

The scope of delivery comprises 1 bag with 10 universal clamps

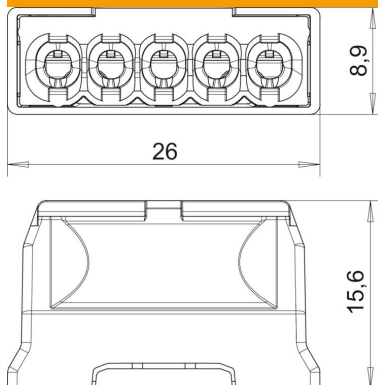


PA Polyamide

Master data

Item number	2475022
Description 1	Plug-in terminal
Description 2	Screwless terminal
Manufacturer	OBO
Dimension	5x2,5mm2
Colour	Light grey; RAL 7035
Material	Polyamide
Smallest sales unit	1
Unit of quantity	Packaging unit
Weight	3 kg
Weight unit	kg/100 PUs

Dimensions



Length	26 mm
Width	15.6 mm
Height	8.9 mm

Technical data sheet

Screwless terminals, 5-pole, RUM

Item number: 2475022



Technical data

Connectable conductor cross-section, single-wire, max.	2.5 mm ²
Connectable conductor cross-section, single-wire, min.	0.5 mm ²
Connectable conductor cross-section, multi-wire, max.	2.5 mm ²
Connectable conductor cross-section, multi-wire, min.	1.5 mm ²
No. of terminals	5
Flame-resistant	Acc. to VDE 0471/DIN 695 Part 2-1, test temperature 850 °C
Suitable for flexible conductors	no
Suitable for solid conductors	no
Suitable for multi-wire conductors	yes
With actuating levers	no
Nominal cross-section, min.	2.5 mm ²
Nominal voltage	450 V
Nominal current	24 A
Pole number	5
Cross-section	5 x 0.5 mm ² to 2.5 mm ² single-wire cable 5 x 1.5 mm ² to 2.5 mm ² rigid, multi-wire cable mm ²
Permitted temperature range, max.	90 °C
Permitted temperature range, min.	-5 °C