

# Technical data sheet

Quick clip, flame-resistant, pure white

Item number: 2149351



Flame-resistant, flush-mounted clip to accept metric steel armoured pipes and heavy-duty insulating pipes, as well as Quick-Pipe® electrical installation pipes. Universal fastening options on walls and ceilings, both in indoor and protected outdoor areas. With slot for side alignment during mounting with wood screw or knock-in anchor. Toolless pipe mounting. Can also be arranged with OBO Multi-Quick or proQuick clip. M16 - M32 size can be screwed onto M6 thread. Recommended fastening spacing 50–60 cm, for max. extraction values F at a room temperature of 20 °C, see the table.



**PP** Polypropylene

## Master data

Item number	2149351
Type	2955 F M16 RW
Description 1	Quick clip
Description 2	flame-resistant
Manufacturer	OBO
Dimension	M16
Colour	Pure white; RAL 9010
Material	Polypropylene
Smallest sales unit	100
Unit of quantity	Piece
Weight	0.252 kg
Weight unit	kg/100 pc.

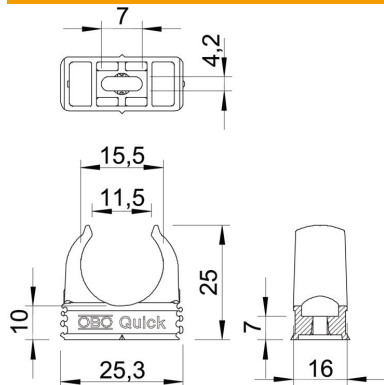
# Technical data sheet

Quick clip, flame-resistant, pure white

Item number: 2149351



## Dimensions



Dimension A	25.3 mm
Dimension B	16 mm
Dimension C	11,5 mm
Dimension D	15.5 mm
Dimension E	7 mm
Dimension F	4.2 mm
Dimension h	10 mm
Dimension H	25 mm

## Technical data

Expandable	yes
Number of cables/pipes	1
Pull-out value	65 N
Fastening type	Screw hole
Flame-resistant	Acc. to VDE 0471/DIN 695 Part 2-1, test temperature 750°C
Closed	no
Halogen-free	yes
With inlay	no
Nominal size	M16
Quick clip installation	Durchgangsloch,_auf_M6_Gewinde_aufschraubbar
Clamping range D, max.	16 mm
Clamping range D, min.	16 mm
UV-resistant	no