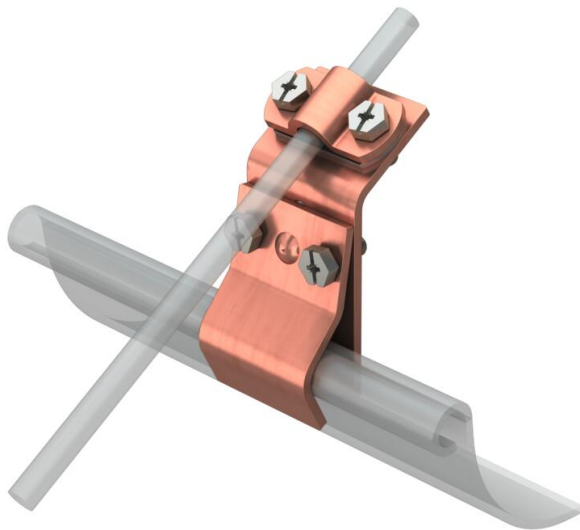


# Technical data sheet

## Bi-metal roof gutter clamp for all bead thicknesses

Item number: 5316170



Gutter clamp to connect round conductors to roof gutters

- Suitable for all bead thicknesses
- Bi-metal for connection of aluminium or hot-dip galvanised steel round conductors to copper roof gutters, without corrosion of the different metals

<b>St</b>	Steel
<b>FT</b>	Hot-dip galvanised

### Master data

Item number	5316170
Description 1	Gutter clamp
Description 2	bimetal
Manufacturer	OBO
Dimension	8mm
Material	Steel
Surface	Hot-dip galvanised
Surface standard	DIN EN ISO 1461
Smallest sales unit	10
Unit of quantity	Piece
Weight	23.1 kg
Weight unit	kg/100 pc.

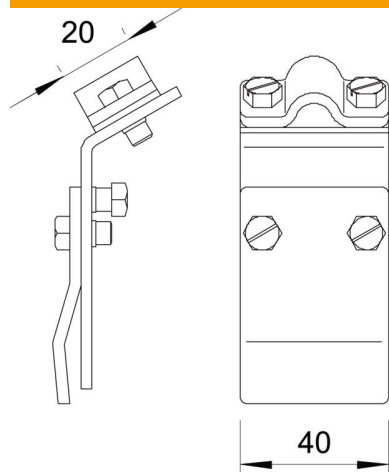
# Technical data sheet

Bi-metal roof gutter clamp for all bead thicknesses

Item number: 5316170



## Dimensions



## Technical data

Type of fastening screw	Hexagonal bolt
Type of connector	Roof gutter clamp
Fit	Rd 8-10 mm