

Technical data sheet

Grip collection clamp, metal 30 A4

Item number: 2207140



Metal grouped support for high mechanical stability, even in case of fire. Suitable for safe mounting above fire protection ceilings. Also approved as a cable-specific variant for the maintenance of electrical function to DIN 4102 Part 12. For wall and ceiling mounting. Lock can be opened without tools. Detailed information on the approved routing variants can be found in the appropriate testing documentation.



A4 Stainless steel

2B Bright, treated

Master data

Item number	2207140
Description 1	Grip collecting clamp
Manufacturer	OBO
Dimension	30x NYM3x1,5
Material	Stainless steel
Surface	Bright, treated
Surface standard	
Smallest sales unit	25
Unit of quantity	Piece
Weight	6.5 kg
Weight unit	kg/100 pc.
CO Footprint (GWP) Cradle-to-Gate	0,4537 kg COe / 1 Piece

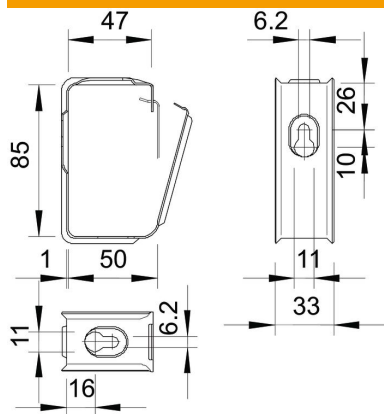
Technical data sheet

Grip collection clamp, metal 30 A4

Item number: 2207140



Dimensions



Technical data

No. of conductors NYM 3 x 1.5	30
Flame-resistant version	no
Maintain electrical functions	yes
Halogen-free	yes
With anchor	no