

# Technical data sheet

## Cone cable gland, PG thread, cutting ring, nickel-plated

Item number: 2082500



Cable gland with hexagonal intermediate connector, shape C4, to DIN 46320 with Pg connection thread to DIN 40430.

Pressure rings made of electrogalvanised and transparently passivated steel.

NR/SBR sealing ring.

Protection rating: with connection thread sealing ring IP 65, without connection thread sealing ring IP 54.

With cutting ring.

\* Prices according to DEL notation.



**CuZn**  
37 Brass

**N** Nickel-plated

### Master data

|                     |                   |
|---------------------|-------------------|
| Item number         | 2082500           |
| Description 1       | Cable gland       |
| Description 2       | with cutting ring |
| Manufacturer        | OBO               |
| Dimension           | PG11              |
| Material            | Brass             |
| Surface             | Nickel-plated     |
| Surface standard    |                   |
| Smallest sales unit | 50                |
| Unit of quantity    | Piece             |
| Weight              | 1.96 kg           |
| Weight unit         | kg/100 pc.        |

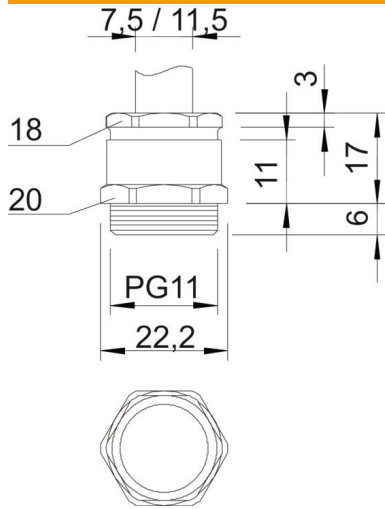
# Technical data sheet

Cone cable gland, PG thread, cutting ring, nickel-plated



Item number: 2082500

## Dimensions



|                  |         |
|------------------|---------|
| Dimension E      | 22.2 mm |
| Dimension L      | 17 mm   |
| Dimension L max. | 17 mm   |
| Dimension L1     | 6 mm    |
| Dimension L2     | 11 mm   |
| Dimension L3     | 3 mm    |

## Technical data

|                          |                       |
|--------------------------|-----------------------|
| Type of seal             | Cuttable sealing ring |
| Bend protection          | no                    |
| Sealing area D, max.     | 11.5 mm               |
| Sealing area D, min.     | 7.5 mm                |
| explosion-proof          | no                    |
| Flat cable gland         | no                    |
| For Ex zone              | Without               |
| Thread                   | Pg 11                 |
| Thread type              | PG                    |
| Thread length            | 6 mm                  |
| Fibre-glass reinforced   | no                    |
| Halogen-free             | no                    |
| Sealing insert, multiple | no                    |
| With locknut             | no                    |
| Impact-resistant         | no                    |
| WAF 1                    | 20 mm                 |
| WAF 2                    | 18 mm                 |
| Protection rating        | IP65                  |
| Strain relief option     | no                    |