

Technical data sheet

Roof conductor holder for ridge tiles, 185–260 mm, Rd 8, A2

Item number: 5202836



- Adjustable width from 185-260 mm
- Fast installation using wing screw

A2 Stainless steel

Master data

Item number	5202836
Description 1	Roof conductor holder
Description 2	for ridge tiles
Manufacturer	OBO
Dimension	35 mm
Material	Stainless steel
Smallest sales unit	20
Unit of quantity	Piece
Weight	13.7 kg
Weight unit	kg/100 pc.

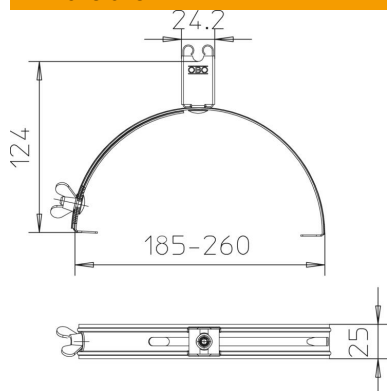
Technical data sheet

Roof conductor holder for ridge tiles, 185–260 mm, Rd 8, A2

Item number: 5202836



Dimensions



Technical data

Application	Ridge
Conductor fastening type	With clip
Conductor diameter, max.	8
Conductor diameter, min.	8
Mounting type	Tensionable
Mounting height	35 mm
Fit	Rd 8 mm
Clamping range D, max.	260 mm
Clamping range D, min.	185 mm
Material of the holder	Rustproof steel (V2A)
Material of the support	Rustproof steel (V2A)